



PCORE
ELECTRIC

KV CLASS 34.5 kV	BIL 200 kV	Uy 22 kV
CURRENT RATING		
400 AMP DRAW LEAD CONNECTION		
MIN. CREEP 41.00 [1041.4]	MIN. STRIKE 16.00 [406.4]	
CREEP/L-G 2.06 [52.3]	STD. IEEE C57.19.00/01	
PCB CONTENT OF OIL IS LESS THAN 1 ppm		

DWG.	CATALOG NUMBER	GLAZE COLOR
SD	B-89301-40	BROWN
SD	B-89301-40-70	LT. GRAY

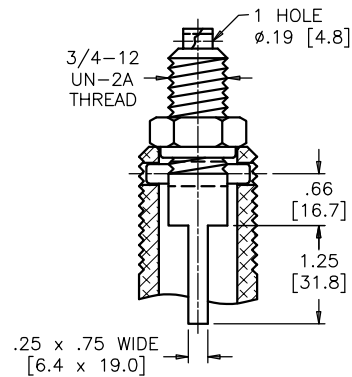
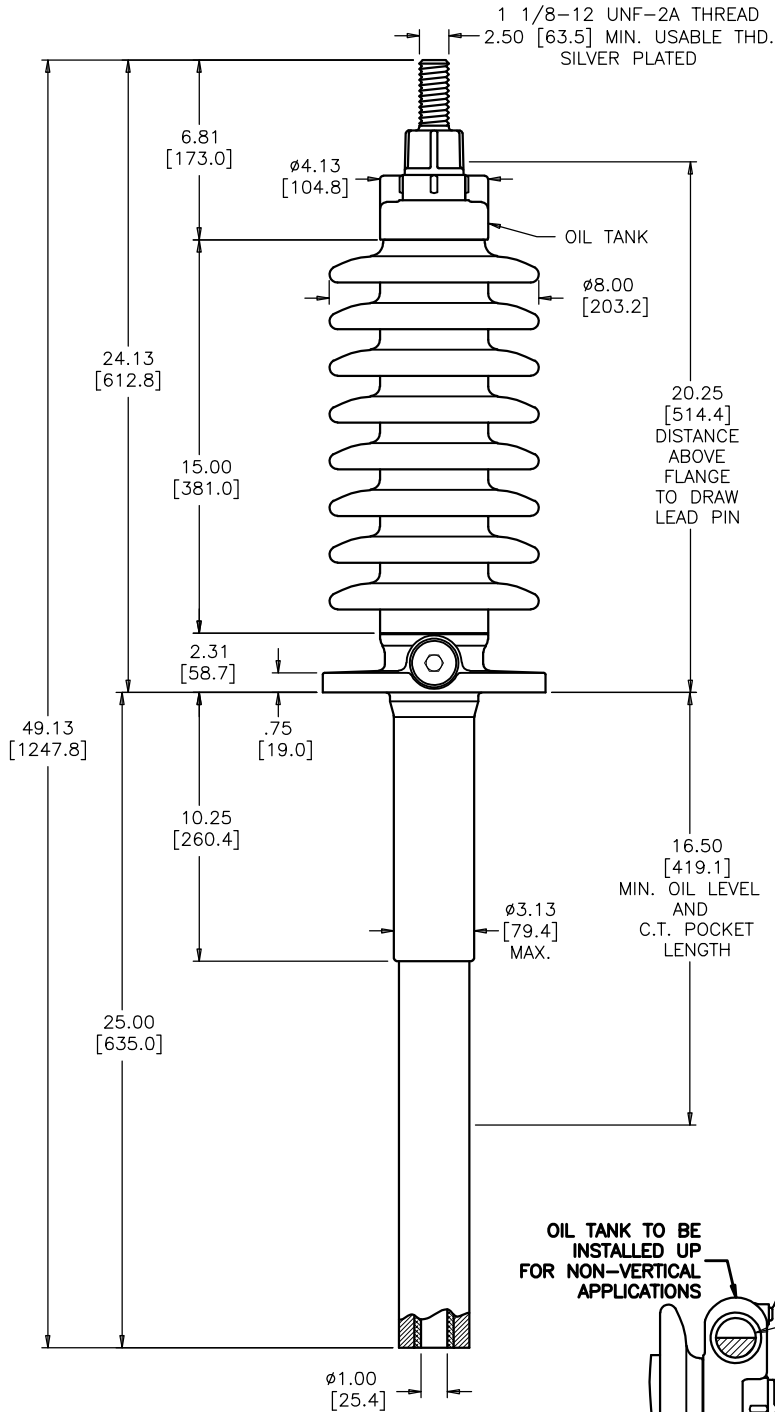
TITLE

PRC BUSHING ASSEMBLY

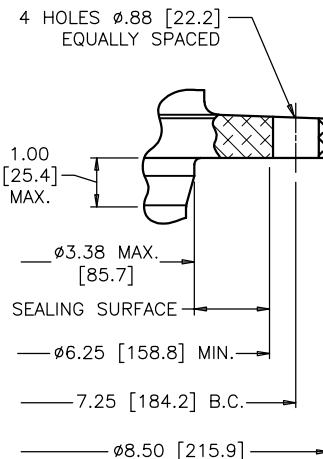
HORIZONTAL/VERTICAL MOUNTING

DATE 1-13-03	REV. DATE 4-6-20
MAXIMUM ALTITUDE 10000 ft [3000 m]	
NET WEIGHT 55 lb [25 kg]	
ANGLE OF INCLINATION FROM THE VERTICAL 0° TO 90°	

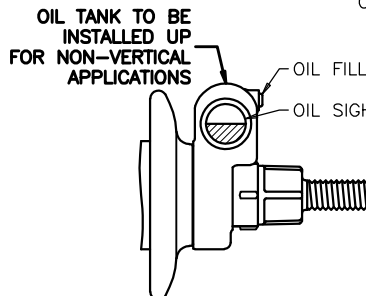
NOTE: ACTUAL DRAW-LEAD CURRENT RATING IS DETERMINED BY CABLE SIZE



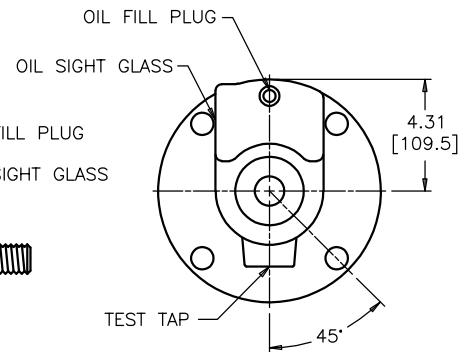
DRAW LEAD ASSEMBLY



MOUNTING FLANGE DETAIL



**OIL TANK DETAIL
SHOWN IN HORIZONTAL
MOUNTING POSITION**



**FLANGE ALIGNMENT DIAGRAM
TOP VIEW**

DIMENSIONS IN INCHES [MILLIMETERS]

REVISION NET WEIGHT WAS 51 lbs

SCALE 1/5

NOTE TO PURCHASER:
ALL SALES OF PCORE PRODUCTS ARE SUBJECT
TO OUR STANDARD TERMS AND CONDITIONS
AND THE LIMITED WARRANTIES THEREUNDER